

# IZERWAREN



## Chapter Three

Marine Door Holders, Door Stays,  
Door Stops and Door Closers.  
For Swinging Doors,  
Weather Doors  
And  
Interior Doors.



**Edition 23**

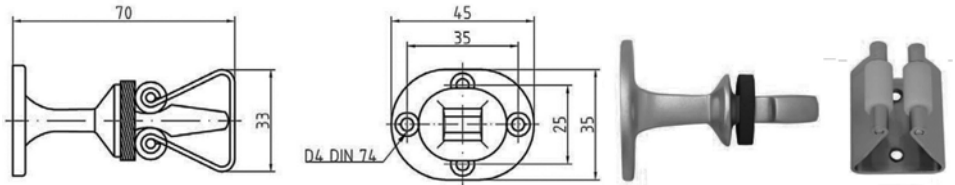
Non Corrosive Fine Building and Ships Hardware  
IZERWAREN.COM



**CLAMPING TYPE DOOR HOLDERS: "HANDS-FREE" OPERATION**

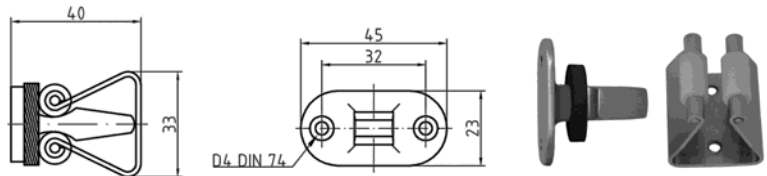
Izerwaren  
Order  
numbers

31.78A **Clamping model door holder**  
For medium heavy doors; brass  
and STAINLESS STEEL  
Distance 70 mm / 2 ¾"



#31.78A Distance 70 mm / 2 ¾"

31.078 **Clamping model door holder**  
For medium heavy doors; brass  
Distance 40 mm / 1 ½"



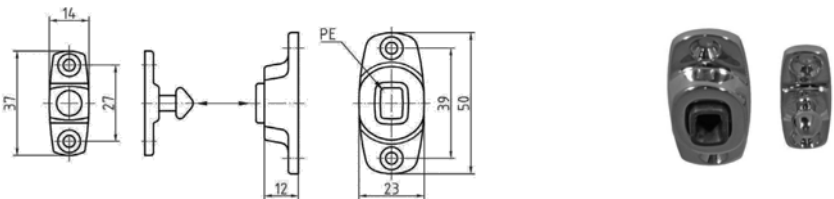
#31.078 Distance 40 mm ~ 1 ½" Chrome plated Brass

31.432 **Clamping model door holder**  
For light doors, brass  
Distance 55 mm / 2 3/16"



#31.432 Distance 55 mm ~ 2 3/16" Brass for small cabinet doors

31.118 **Clamping model door holder**  
For light doors 316 stainless  
steel  
Distance 15 mm / 5/8"  
Clamps through rubber socket



#31.118: in **STAINLESS STEEL**; Distance 15 mm ~ 5/8"

31.406 **Hook Door holder;**  
heavy duty  
Distance 80 mm;  
chrome plated brass



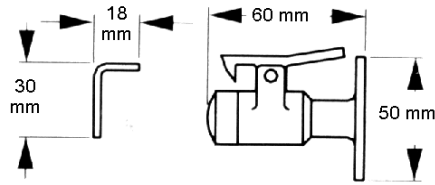
#31.406: Hook Door holder; heavy duty Distance 80 mm; Chrome Plated Brass



Izerwaren  
Order  
numbers

**HOOK TYPE DOOR HOLDERS WITH POSITIVE LATCHING**

31.710 **Hook model door holder**  
For medium to heavy doors;  
316 stainless steel  
Distance 60 mm / 2 3/8".  
With spring loaded catch



#31.710: Hook door holder spring loaded; Distance 60 mm or 2 3/8" STAINLESS STEEL

31.712 **Hook model door holder**  
For medium to heavy doors;  
316 stainless steel  
Distance 86 mm / 3 3/8".  
With spring loaded catch



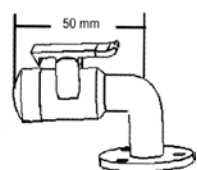
#31.712: Hook door holder spring loaded; Distance 86 mm or 3 3/8" STAINLESS STEEL

31.713 **Hook model door holder**  
For medium to heavy doors;  
316 stainless steel  
Distance 102 mm / 4 inch.  
With spring loaded catch



#31.713: Hook door holder spring loaded; Distance 102 mm or 4" STAINLESS STEEL

31.714 **Hook model door holder**  
For medium to heavy doors;  
316 stainless steel  
90 degree Angle distance 50 mm / 2".  
With spring loaded catch

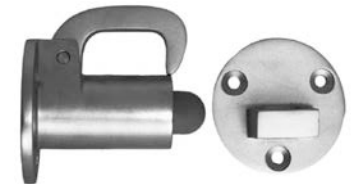
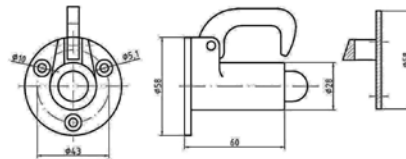


#31.714: As above; 90 degree angle; distance 50 mm C to C or 2" STAINLESS STEEL  
Spring loaded

31.236 **Hook model door holder (236)**  
For medium to heavy doors;  
Distance 65 mm ~ 2 1/2"  
Chrome Plated Brass

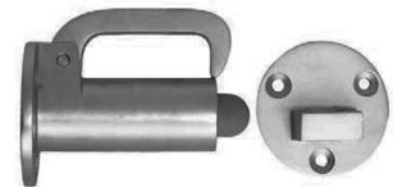
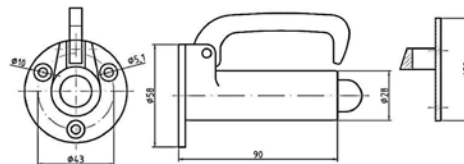


#31.236 Door holder with hook



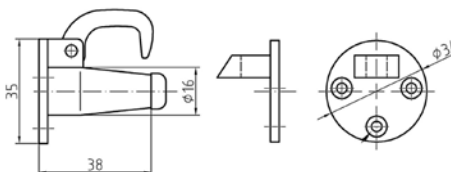
#31.236: Hook Door holder, Back to back side plates: Distance 65mm or 2 1/2"

31.36A **Hook model door holder (236A)**  
For medium to heavy doors;  
Stainless steel  
Distance 95 mm ~ 3 3/4"  
Chrome Plated Brass



#31.36A: Hook Door holder; Back to back side plates: Distance 95 mm ~ 3 3/4";

31.513 **Hook model door holder (2513)**  
For light doors  
Distance 42 mm ~ 1 5/8"  
Chrome Plated Brass



#31.513: Hook door holder; Distance 42 mm / 1 5/8" Chrome Plated Brass



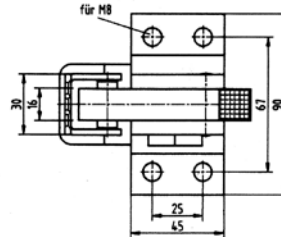
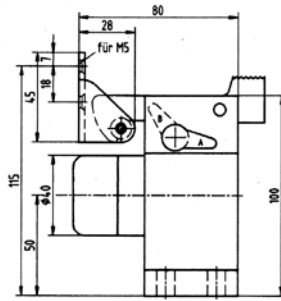
- Special Door Holders
- Rattle free and sea-water resistant

**Door holder with hook #32.010**

For heavy doors: 220 lbs  
 Center buffer distance floor: 50 mm / 2"  
 4 1/2" high x 3 1/8" long x 3 1/2" wide  
 Available in anodized aluminum and **STAINLESS STEEL**

Bracket, piston and spring stainless steel

- floor mounted
- spring loaded
- with toggle for locking / non locking



#32.010 Spring loaded hook type door holder. Lock in open position

**FINISH: ALUMINUM OR STAINLESS STEEL SEAWATER RESISTANT.**

32.1610 bottom raising plate 20 mm  
Finish: Aluminum / black only.



32.010N



32.010K

#32.010N Cam without lock in open position

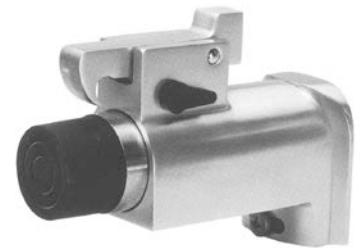
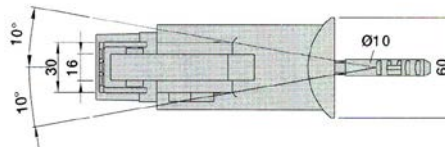
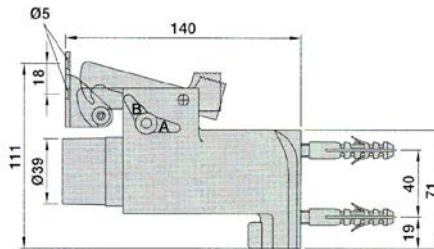
#32.010K Cam with Key Lock allowing for dead locking in open and in closed position

#32.1610 bottom raising plate 20 mm

**Door holder with hook #32.096**

For heavy doors: 220 lbs  
 Distance from wall: 140 mm / 5 1/2"  
 3 3/4" high x 5 1/2" long x 2 3/8" wide  
 Heavy anodized aluminum; bracket, piston and spring: stainless steel

- wall mounted
- spring loaded
- with toggle for locking / non locking
- swivels 10 degrees to either side



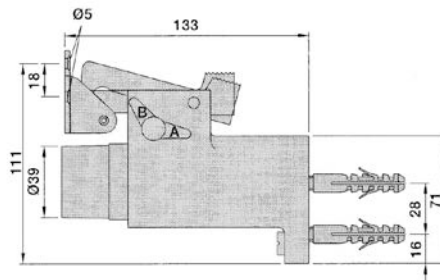
#32.096 Spring loaded hook type door holder with 10 degree swivel. Lock in open position.

**FINISH: ALUMINUM - SEAWATER RESISTANT**

**Door holder with hook #32.1012**

For heavy doors: 220 lbs  
 Distance from wall: 140 mm / 5 1/2"  
 3 3/4" high x 5 1/2" long x 2 3/8" wide  
 Heavy anodized aluminum; bracket, piston and spring: stainless steel

- wall mounted
- spring loaded
- with toggle for locking / non locking
- rigid wall mounted

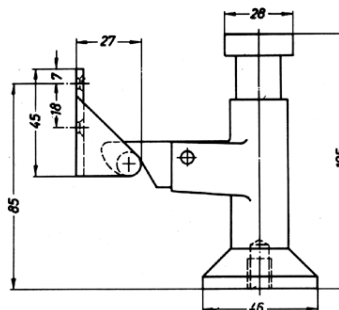


#32.1012 Spring loaded hook type door holder. Rigid wall mounted.

Cam lock in open position.  
**FINISH: ALUMINUM SILVER**

**Push Model Door holder #32.047**

Medium duty, for doors up to 50 kg.  
 Floor mounted.  
 4 1/8" High x 2 3/4" Wide  
 Available in aluminum  
 Foot operated; Can be used exterior.  
 Seawater resistant.



#32.047 Push Type Door holder  
Floor mounted distance floor to hook:  
**FINISH: ALUMINUM SILVER**



stainless steel

45 x 57 x 18 mm high

32.007

32.558 shim 10 mm



stainless steel

30 x 28 mm high

32.009



stainless steel

32.569 60-80-100-120

**ALL MODELS BELOW ARE SPECIAL ORDER ONLY**



stainless steel

25 x 30 mm high

32.098



stainless steel

50 x 45 mm high

32.196



stainless steel

40 x 33 mm high

32.117



stainless steel

30 x 27 mm high

32.018



aluminum anodized

50 x 50 high

32.022



aluminum anodized

38 x 37 mm high

32.028

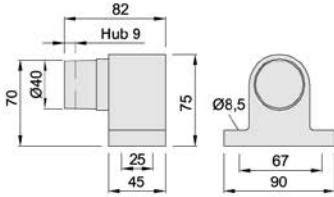


**SPRING LOADED DOOR STOPS - MEDIUM DUTY AND HEAVY DUTY SEAWATER RESISTANT**



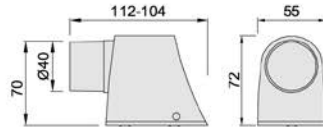
aluminum  
anodized

**32.123**



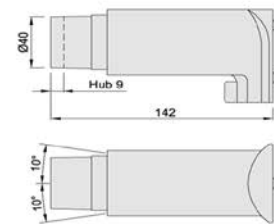
aluminum  
anodized

**32.124**



aluminum  
anodized

**32.052**

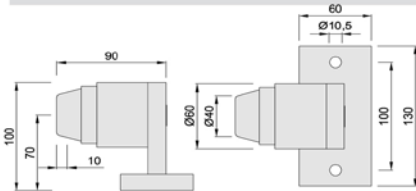


**32.1610** filler plate



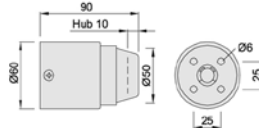
stainless  
steel

**32.121**



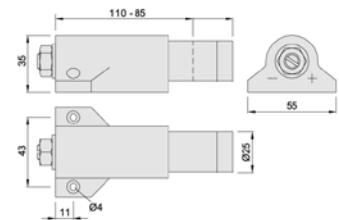
stainless  
steel

**32.120**



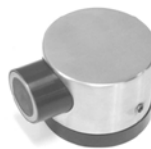
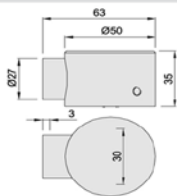
aluminum  
anodized

**32.122**



stainless  
steel

**32.111**



stainless  
steel

**32.016**

magnetic doorholder  
with fillerplate



**32.101** filler plate aluminum



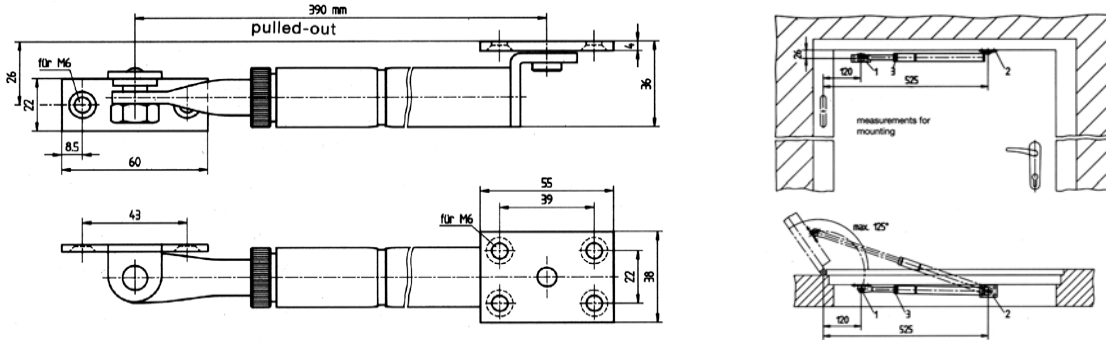
**32.101** filler plate aluminum



**DOOR STAYS HEAVY DUTY AND MEDIUM DUTY SEAWATER RESISTANT**



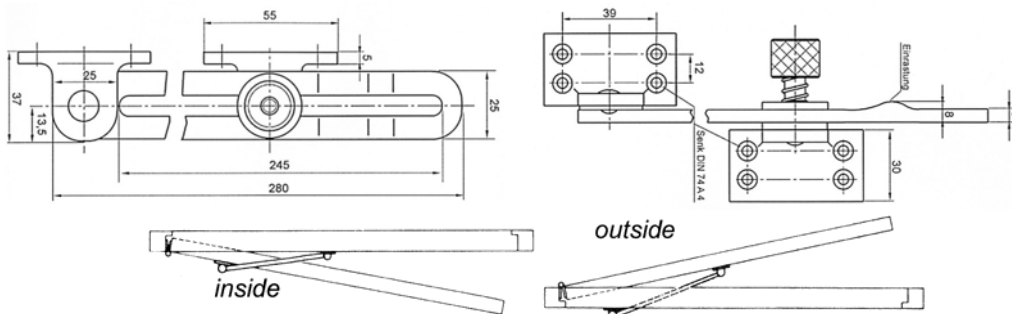
**#32.017 Telescopic door stay holder with brake** For heavy doors, up to 150 lbs. Stainless steel. Adjustable tension.



**#32.500 Telescopic door stay holder with brake** For medium heavy doors, up to 80 lbs. Stainless steel. Adjustable tension by turning nut. Stroke: 225 mm. Stainless steel. Overall length: Center to Center Brackets: 575 / 350 mm.



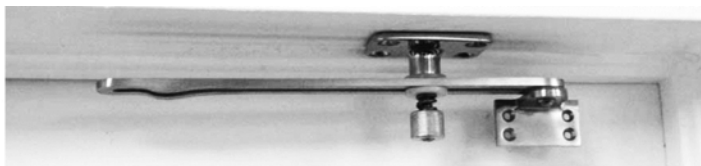
**#33.065F Door stay heavy duty for doors up to 200 lbs. with flush brackets with brake and endstop polished stainless steel**



Installation diagrams door stay 33.065F with flush brackets



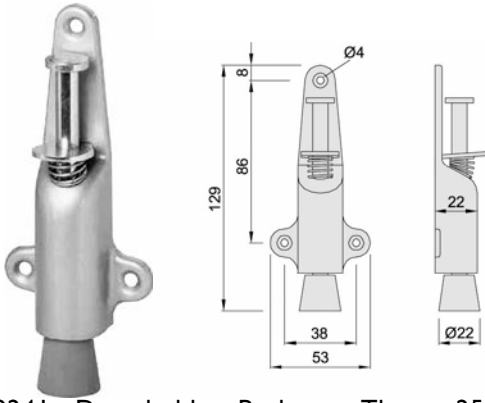
**#33.065A Door stay with angle brackets with brake and endstop satin stainless steel**



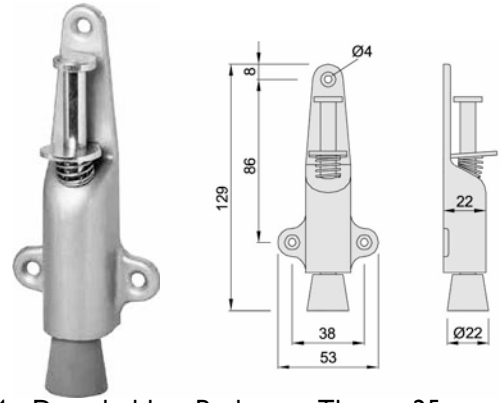
Installation sample with angle bracket 33.065A

mounted outside

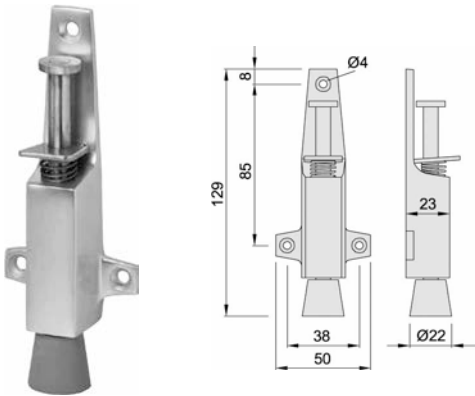
mounted inside.



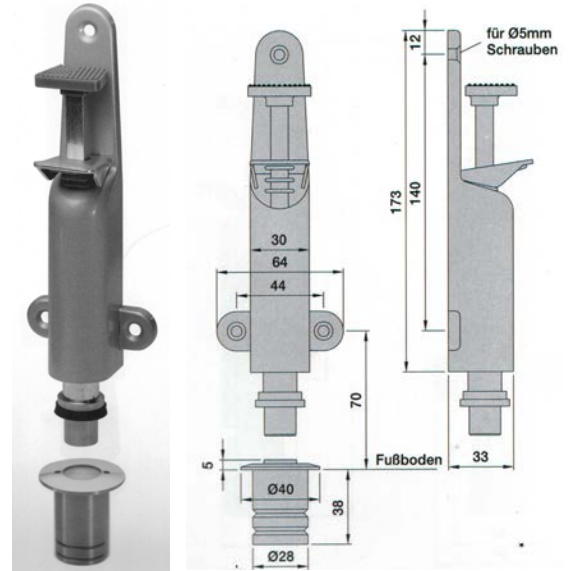
32.0241 Door holder, Push type Throw: 25 mm ~ 1" **STAINLESS STEEL** - Seawater resistant



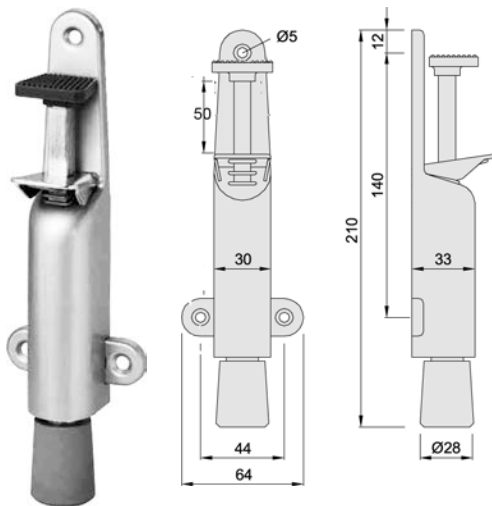
32.024 Door holder, Push type Throw: 25 mm ~ 1" **BRASS LAQUERED** - Seawater resistant



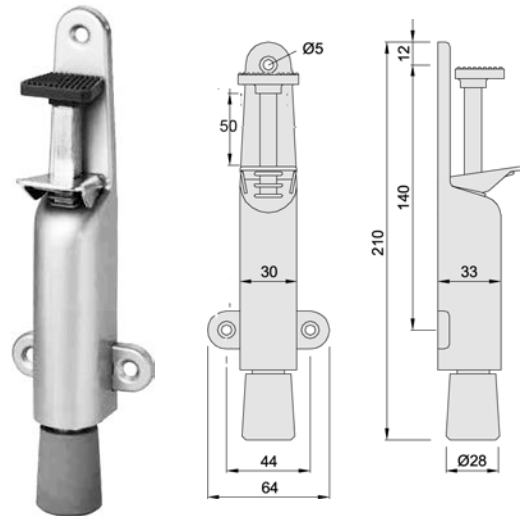
32.021 Door holder, Push type Throw: 25 mm ~ 1" **ALUMINUM ANODIZED** - Seawater resistant



32.1038 Door holder, Push type Throw: 30 mm for use with in Floor Receiver 32.K42 **STAINLESS STEEL**



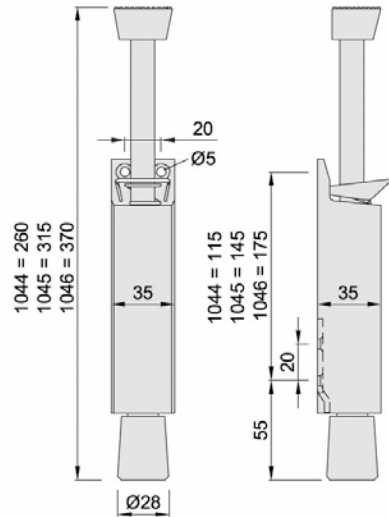
32.0291 Doorholder 50 mm ~ 2" throw **STAINLESS STEEL** - Seawater resistant



32.029 Doorholder 50 mm ~ 2" throw **BRASS LAQUERED** - Seawater resistant

32.0293 In anodized aluminum: No stocking. Special order minimum quantity purchase required. Seawater resistant.





32.0441 Doorholder 60 mm ~ 2" throw  
**ALUMINUM ANODIZED** - Seawater resistant

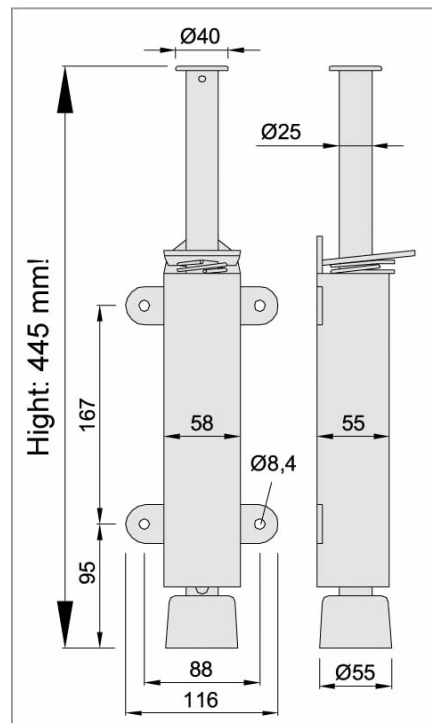
**Max. door weight 80 kg**

32.0442 Doorholder 90 mm ~ 3.5" throw  
**ALUMINUM ANODIZED** - Seawater resistant

**Max. door weight 80 kg**

32.0443 Doorholder 120 mm ~ 4.75" throw  
**ALUMINUM ANODIZED** - Seawater resistant

**Max. door weight 80 kg**



32.1043 Doorholder 120 mm ~ 4.75" throw  
**STEEL LAQUERED - MAX DOOR WEIGHT 200 KG COMMERCIAL GRADE**

**Above models are SPECIAL ORDER ONLY**



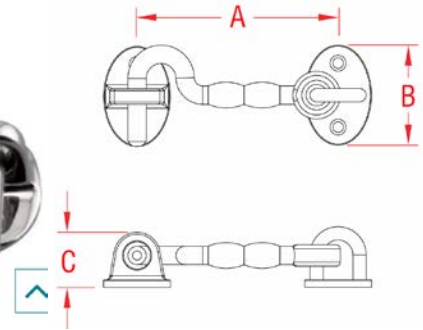
Izerwaren  
Order  
numbers

**Door ajar hooks**

For full size doors  
Double swinging  
Hook length + bracket length =  
working length  
Add 25 mm for working length

33.3851 Hook length: - 3"  
33.3852 Hook length: - 4"

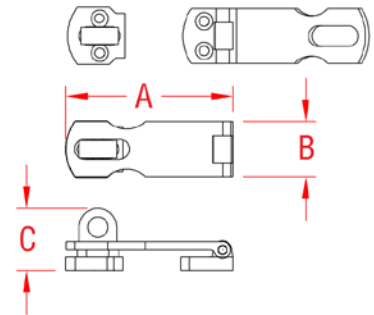
33.3852LT Hook plate separate  
316 Stainless steel



33.3851 Ajar Hook Length 3 inch  
33.3852 Ajar Hook Length 4 inch

A= 3 and 4 inch  
B= 1.48 inch  
C= 0.82 inch

46.3853 **Safety hasp** 3 inch  
Heavy Duty  
316 Stainless steel



#33.3853 The Heavy Duty Safety Hasp is precision cast and easily installed using #8 fasteners.

A= 3 inch  
B= 1 inch  
C= 1.16 inch



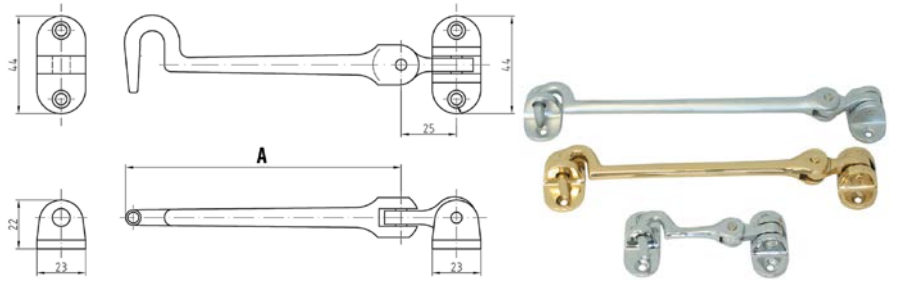
Izerwaren  
Order  
numbers

**Door ajar hooks (2551)**

For full size doors  
Double swinging  
Hook length + bracket length =  
working length  
Add 25 mm for working length

- Hook length:
- 33.050 50 mm - 2"
- 33.075 75 mm - 3"
- 33.100 100 mm - 4"
- 33.125 125 mm - 5"
- 33.150 150 mm - 5 7/8"
- 33.175 175 mm - 6 7/8"
- 33.200 200 mm - 7 7/8" \*

\*) all sizes in inches approximate



Ajar Hooks: Hook length (A) : 2", 3", 4" 5", 5 7/8", 6 7/8", 7 7/8" (add : 1" for door to wall length)

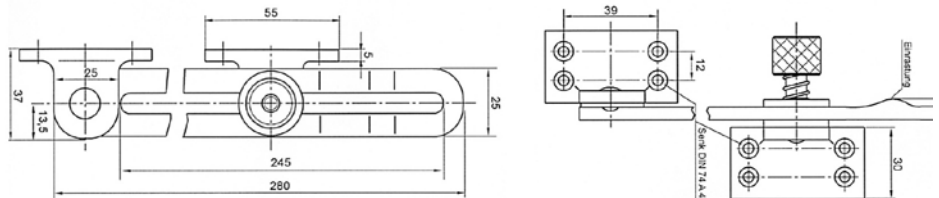
- 33.065A
- 33.065F

**304 STAINLESS STEEL** Door stay.  
Heavy duty with brake and endstop.  
235 mm travel, Angle model  
235 mm travel, Flush model  
See page 3-3-1 for details



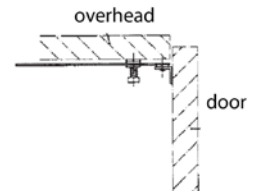
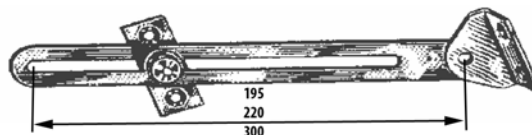
**STAINLESS STEEL**

#33.065 Door stay heavy duty with brake and endstop; 235 mm travel, ~ 9 1/4"  
Available with angle (33.065A) or flush (33.065F) mounted brackets. See page 3-3-1 for details



- 33.654A
- 33.654B
- 33.654C

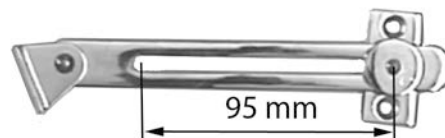
**Door stay (2654)**  
medium duty,  
friction adjustable with thumb-screw  
Travel: 165 mm; length: 195 mm  
Travel: 190 mm; length: 220 mm  
Travel: 270 mm; length: 300 mm  
**ALSO AVAILABLE WITH BRAKE**  
Please check with our office  
For details



Door stay #33.654.A light duty, 165 mm travel; size 195 mm -slot to pivot  
Door stay #33.654.B light duty, 190 mm travel; size 220 mm - slot to pivot  
Door stay #33.654.C light duty, 270 mm travel; size 300 mm - slot to pivot

- 33.225

**Door stay**  
Light duty,  
friction adjustable with thumb-screw  
Travel: 95 mm

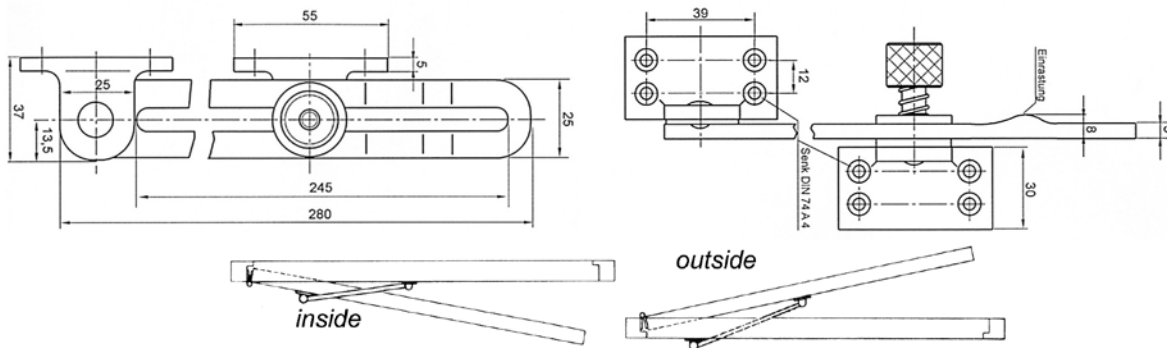


door stay #33.225 light duty, with brake, 90 mm travel ~ 3 3/4"

*Rule of thumb size door stays:  
Travel length of door stays should  
be about equal to 1/4 of the door  
width.*



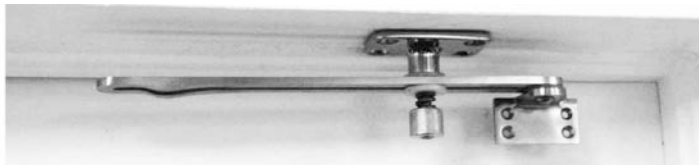
#33.065F Door stay with flush brackets with brake and endstop polished stainless steel  
**STAINLESS STEEL**



Installation diagrams door stay 33.065F with flush brackets



#33.065A Door stay with angle brackets with brake and endstop satin stainless steel  
**STAINLESS STEEL**



Installation sample with angle bracket 33.065A mounted outside



mounted inside.



Izerwaren  
Order  
numbers

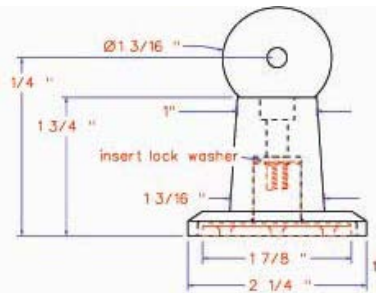
- Magnetic Door Holders
- Rattle free
- For interior use

*Magnetic doorholders provide Hands Free operation.*

34.MDH.266

**Door holder Magnetic**

For medium to heavy weight doors  
As above Finish available in: chrome, nickel, brass and gold  
Details page 3-4-1



#34.MDH.586 magnetic door holder  
Finish: Satin Gold  
Made of Brass

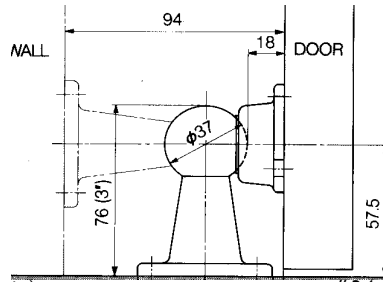
For details & finishes page 3-4-1.

#34.MDH.266  
finish: Polished Chrome  
Made of Brass

34.MDHB  
34.MDHI

**Door holder Magnetic**

Wall or floor mounted  
For medium weight doors  
Projection: 2 1/4 inch  
Ivory or brown plastic



#34.MDHI (Ivory Plastic)

#34.MDHB (Brown Plastic)

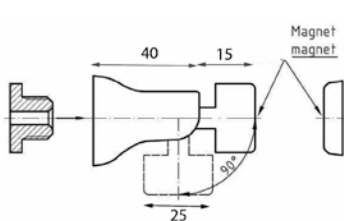
34.252

**Door holder Magnetic**

For medium weight doors  
Oval. Projection: 1 1/2 inch  
Base: 1 5/16 inch; Keeper: 1 5/8 inch.  
Only available in polished lacquered brass, polished or satin chrome



#34.252 magnetic doorholder with swivel.



More Details page 3-4-2

34.HDHU3

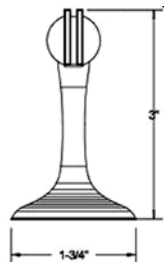
**Door holder Magnetic I**

For light weight doors  
Round. Projection: 3 inch  
Base: 1 3/4 inch; Keeper: 3/4 inch  
Brass finish; More finishes: page 3-4-4

34.MDH35

**Door holder Magnetic**

For light weight doors  
Square base. Projection: 3 1/2 inch  
Base: 1 9/16 inch; Keeper: 1 3/16 inch  
Bronze finish; More finishes: page 3-4-4



#34.MDHU3 magnetic doorholder



#34.MDH35 magnetic doorholder US-10B for light weight doors.

34.78C

**Door holder Magnetic (1278C)**

Wall mounted  
For medium weight doors  
Distance from wall: 75 mm ~ 3 inch  
diameter: 65 mm 2 5/8 inch  
Gray rubber with heavy zinc plated rose

34.78A

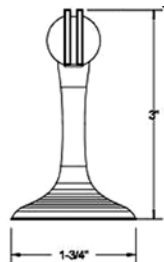
**Door holder Magnetic (1278A)**

distance from wall: 50 mm / 2 inch  
diameter: 50 mm ~ 1 15/16 inch  
Gray rubber with heavy zinc plated rose

34.78B

**Door holder Magnetic (1278B)**

Distance from wall: 1 1/2 inch  
diameter: 1 1/2 inch  
Gray rubber with heavy zinc plated rose



#34.MDHU3 magnetic doorholder

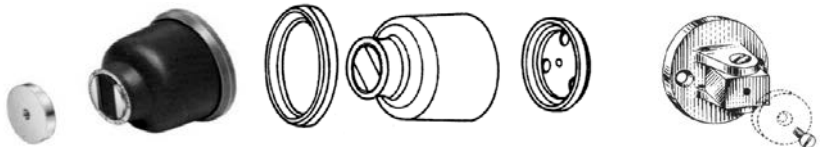


#34.MDH35 magnetic doorholder US-10B for light weight doors.

34.279

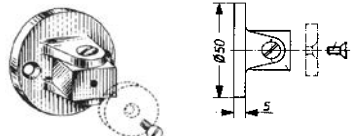
**Door holder Magnetic (1279)**

Angle; Floor mounted, light duty  
2 3/8 inch diameter x 1 1/2 inch long  
Light Gray rubber with heavy zinc plated rose



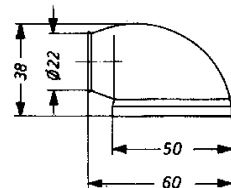
34.271

**Swivel (1271), chrome plated brass**



#1278C Rubber Magnetic Holder 71x 76 mm 2 3/4 inch 3 inch Swivel for magnet #34.271  
#1278A 54 x 48 mm ~ 2 1/8 inch diameter X 1 7/8 inch long  
#1278B 38 x 38 mm ~ 1 1/2 inch diameter X 1 1/2 inch long

#1271 Standoff swivel for magnet allows mounting under angle, standoff: 20 mm ~ 3/4 inch, angle 30 degrees



#1279 Magnetic door holder 60 x 38 mm high 2 3/8 inch long x 1 1/2 inch high



Izerwaren  
Order  
numbers

- Magnetic Door Holders
- Rattle free
- For interior use

34.MDHH **Door holder Magnetic "Heavy Duty"**  
 Pull aprox. 35-40 lbs / 17 kg  
 Wall or floor or ceiling mounted  
 For medium weight doors  
 Distance wall to door 75.5 mm - 3"  
 Brass base material, except for magnet  
 Cup in receiver part hard nickel coated steel

**Hands free operation,  
 Can be mounted off square.**

- 34.MDHH.266 = Polished Chrome finish
- 34.MDHH.566 = Satin Chrome finish
- 34.MDHH.256 = Polished Nickel finish
- 34.MDHH.556 = Satin Nickel finish
- 34.MDHH.286 = Polished Gold finish
- 34.MDHH.586 = Satin Gold finish
- 34.MDHH.546 = Dark Bronze finish
- 34.MDHH.176 = Red Bronze finish

34.MDHL... **Door holder Magnetic "Medium Duty"**  
 Pull aprox. 18-22 lbs / 10 kg  
 Wall or floor or ceiling mounted  
 For medium weight doors  
 distance: 75.5 mm - 3"  
 Brass base material, except for magnet  
 Cup in receiver part galvanized steel

- 34.MDHL.266 = Polished Chrome finish
- 34.MDHL.566 = Satin Chrome finish
- 34.MDHL.256 = Polished Nickel finish
- 34.MDHL.556 = Satin Nickel finish
- 34.MDHL.286 = Polished Gold finish
- 34.MDHL.586 = Satin Gold finish
- 34.MDHL.546 = Dark Bronze finish
- 34.MDHL.176 = Red Bronze Finish

34.MAGH Seperate set of magnets "HEAVY DUTY" 35-40 LB

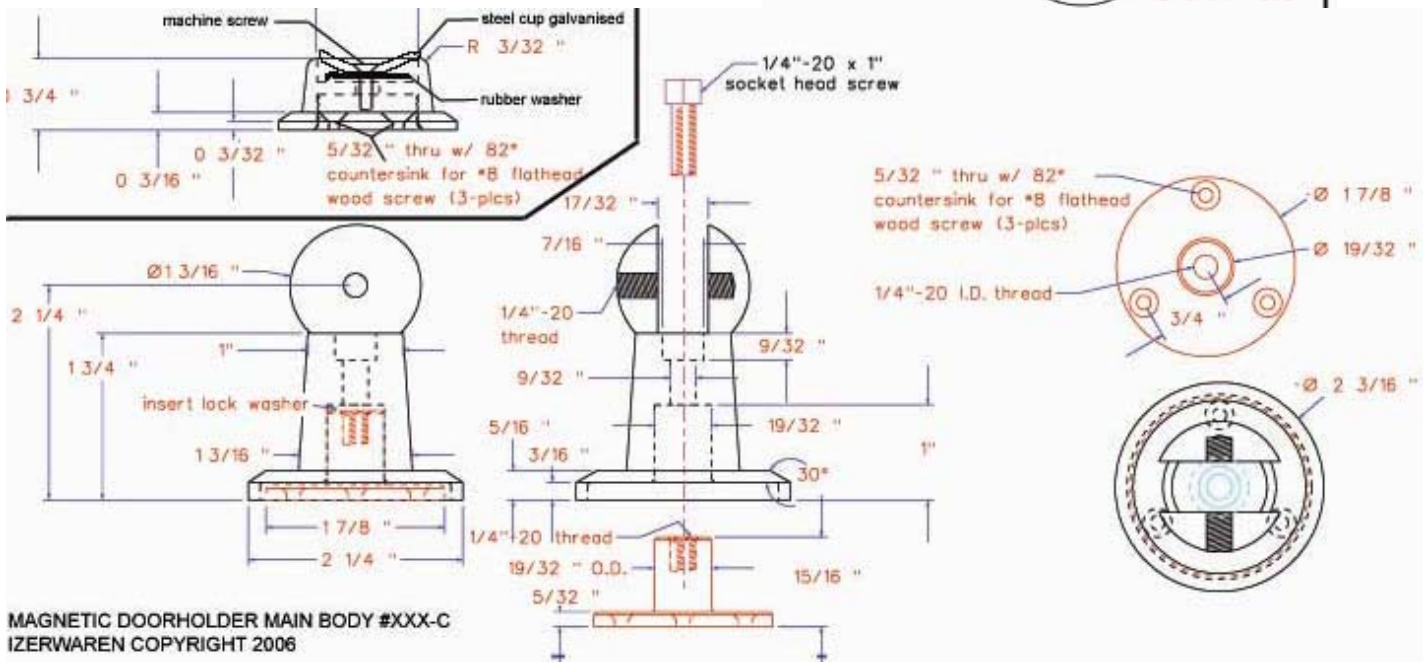
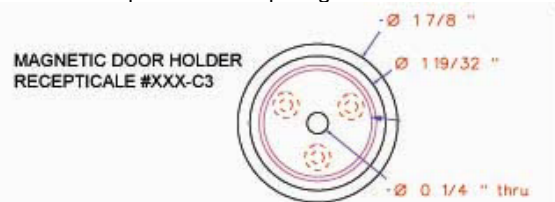
34.MAGL Seperate set of magnets "MEDIUM DUTY" 18-22 LB

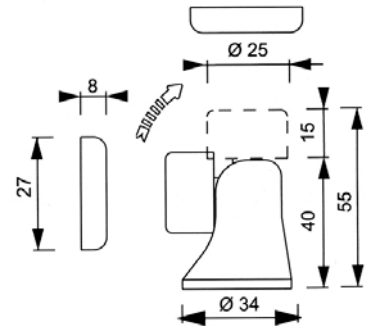
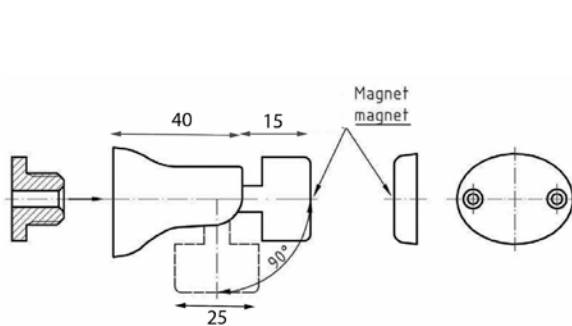


**#34.MDHH** Magnetic door holder Picture finish: **Satin gold**  
 Wall or floor or ceiling mounted; For medium weight doors  
 distance: 75.5 mm - 3"high . Brass base material, except for magnet  
 Cup in receiver part galvanized steel.

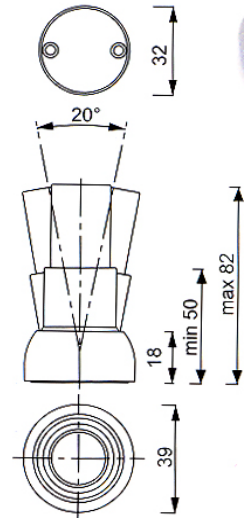
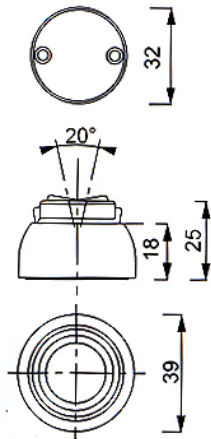


**#34.MDHL** in polished chrome Magnetic door holder  
 Wall or floor or ceiling mounted; For medium weight doors  
 distance: 75.5 mm - 3"high . Brass base material, except for magnet  
 Cup in receiver part galvanized steel.





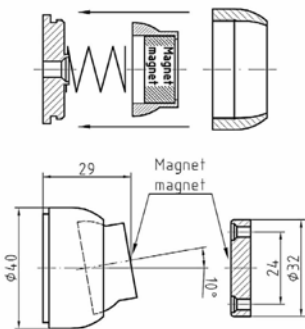
Magnetic doorholder #34.252 Polished Chrome Finish; Light duty for light weight doors



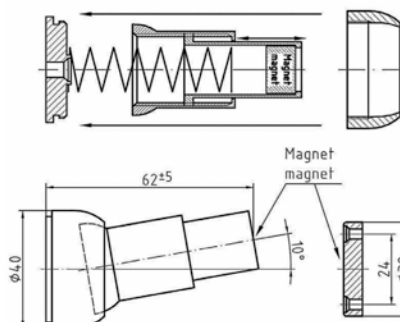
Magnetic doorholder #34.410S

Magnetic doorholder #34.410B

Polished chrome finish spring loaded, swivel; Light duty for light weight doors



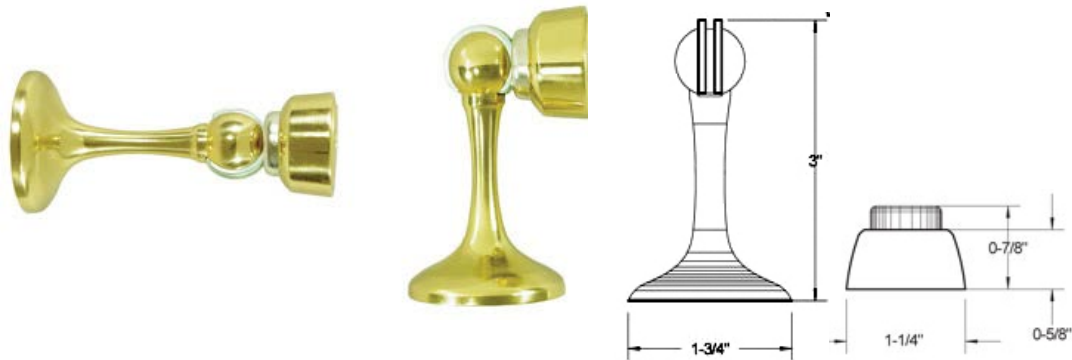
#34.410S



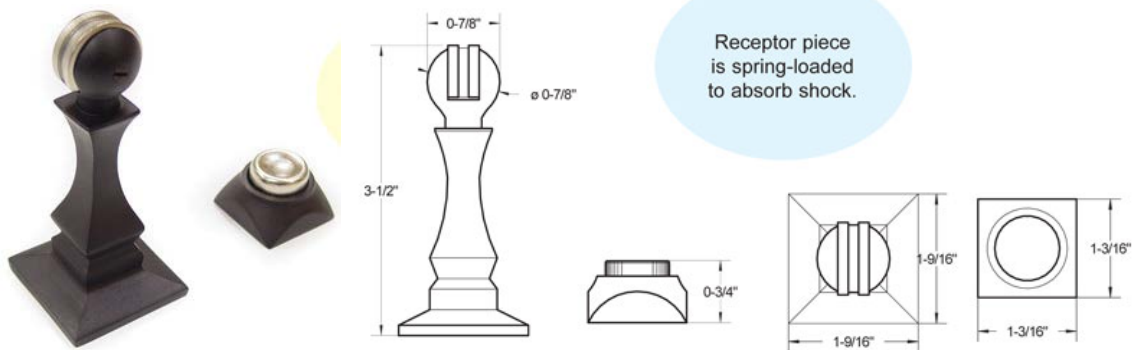
#34.410B



**MAGNETIC DOOR HOLDER LIGHT DUTY**



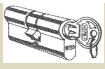
34.MDHU3	MAGNETIC DOOR HOLDER	US3 LIGHT DUTY	SOLID BRASS INTERIOR GRADE
34.MDHU5	MAGNETIC DOOR HOLDER	US5 LIGHT DUTY	SOLID BRASS INTERIOR GRADE
34.MDHU10B	MAGNETIC DOOR HOLDER	US10B LIGHT DUTY	SOLID BRASS INTERIOR GRADE
34.MDHU15	MAGNETIC DOOR HOLDER	US15 LIGHT DUTY	SOLID BRASS INTERIOR GRADE
34.MDHU15A	MAGNETIC DOOR HOLDER	US15A LIGHT DUTY	SOLID BRASS INTERIOR GRADE
34.MDHU19	MAGNETIC DOOR HOLDER	US19 LIGHT DUTY	SOLID BRASS INTERIOR GRADE
34.MDHU26	MAGNETIC DOOR HOLDER	US26 LIGHT DUTY	SOLID BRASS INTERIOR GRADE
34.MDHU26D	MAGNETIC DOOR HOLDER	US26D LIGHT DUTY	SOLID BRASS INTERIOR GRADE



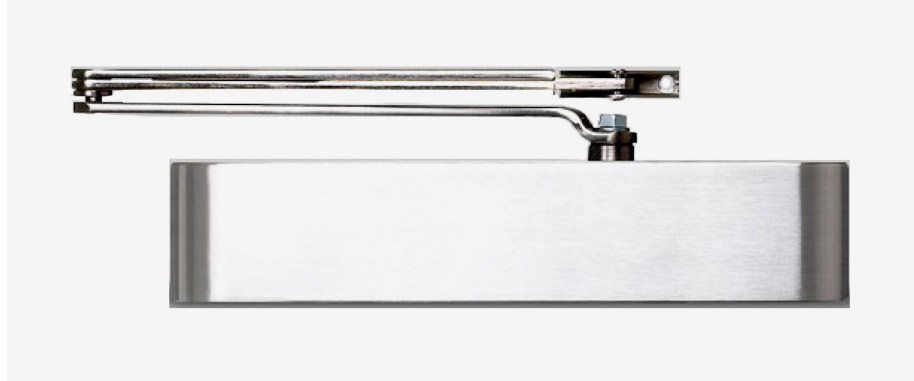
34.MDH35U3	MAGNETIC DOOR HOLDER	US3 LIGHT DUTY	SOLID BRASS INTERIOR GRADE
34.MDH35U5	MAGNETIC DOOR HOLDER	US5 LIGHT DUTY	SOLID BRASS INTERIOR GRADE
34.MDH3510B	MAGNETIC DOOR HOLDER	US10B LIGHT DUTY	SOLID BRASS INTERIOR GRADE
34.MDH3515	MAGNETIC DOOR HOLDER	US15 LIGHT DUTY	SOLID BRASS INTERIOR GRADE
34.MDH3515A	MAGNETIC DOOR HOLDER	US15A LIGHT DUTY	SOLID BRASS INTERIOR GRADE
34.MDH3519	MAGNETIC DOOR HOLDER	US19 LIGHT DUTY	SOLID BRASS INTERIOR GRADE
34.MDH3526	MAGNETIC DOOR HOLDER	US26 LIGHT DUTY	SOLID BRASS INTERIOR GRADE
34.MDH3526D	MAGNETIC DOOR HOLDER	US26D LIGHT DUTY	SOLID BRASS INTERIOR GRADE

Items has steel galvanized parts, interior grade.





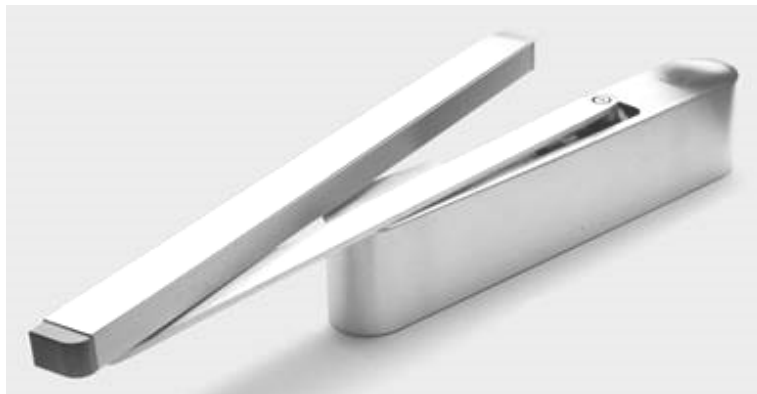
## IZERWAREN DOORCLOSER PROGRAM



#35.2390 Hydraulic door closer for medium size doors; - Force 2-6  
Finish: Satin Stainless Steel or Polished Stainless Steel



#35.083H Hydraulic door closer for fire rated full size doors; - Force 7  
Finish: Satin Stainless Steel or Polished Stainless Steel cover with STEEL arm and bracket



#35.2854 Hydraulic door closer with sliding arm - Force 2-4  
Finish: Satin Stainless Steel or Polished Stainless Steel Interior Grade, steel parts.



- For medium duty applications.
- with hold open feature; position adjustable
- 316 Stainless steel door closer cover, arm, bracket
- Body aluminum, coated
- Non-handed
- adjustable closing speed for force 2-6 set
- even speed control under varying temperatures
- leak-proof construction
- adjustable latch action for force 2-6 set
- adjustable angle of opening between 70-180 degrees
- Finish: Satin or Mirror polished stainless steel cover, arm, bracket



**#35.2390 Door closer set with stainless steel cover, arm, bracket**  
 Set: door closer body TS83, cover, arm, brackets and screws.  
 Power size: EN 2/6 Force adjustable, non-handed  
 Fully intelligent back-check providing a cushioning effect to prevent uncontrolled opening between 70 and 110 degrees.  
 Latch action fully adjustable;

#35.2390 Door closer set; with adjustable arm, standard and parallel bracket

**#35.083H FIRE rated door closer set with steel arm and bracket**  
 Set: door closer body TS83, arm, brackets and screws.  
 Power size: EN 7 NOT adjustable, non handed  
 No other functions on the Fire Rated Door Closer;  
 silver paint steel parts



Fire rated door closer 35.083H depicted



#35.2390 Door closer set; with adjustable arm, bracket and parallel bracket

**#35.2390B Door closer body only**  
 Door closer body TS83 force 2-6 fully adjustable. aluminum



#35.2390B Door closer body force 2-6

**#35.283A Cover only fitting TS83 body**  
 316 stainless steel. Available in satin or polished stainless steel.



#35.283A Door closer cover

**#35.283C Adjustable arm fitting TS 83 body**  
 316 stainless steel. Available in satin or polished stainless steel.



#35.283C Door closer arm; 2 pieces.

**#35.273 Parallel bracket with nylon bearings and screw on cap**  
 316 stainless steel. Available in satin or polished stainless steel.  
 To fit arm #35.283C



#35.273 Parallel Bracket



#35.271 Bracket

**#35.271 Standard bracket fitting TS 83 body**  
 316 stainless steel. Available in satin or polished stainless steel.



**SPECIFICATIONS TS 83 SERIES DOOR CLOSER BODIES**

**Easy to fix and even easier to adjust. The door closer for almost every door size and application.**

Decades of experience have gone into the development of the TS 83. The result is user comfort coupled with outstanding versatility. It can be adjusted to suit almost all types of door.

It can even be supplied with additional anti-corrosion protection for exposed applications or aggressive conditions.

Fixing couldn't be easier – and last but not least – it's engineered for excellence.

Certified to ISO 9001.

**Plus points**

**For the trade**

- Low inventory costs and reduced stocking requirement thanks to streamlined product range.
- Practical and effective solutions to meet special applications thanks to comprehensive choice of accessories.

**For the installer**

- Easy to fix.
- Can be "tailored" to the requirements of the door by simple adjustment.
- Just one model for RH (DIN-R, ISO 5) and LH (DIN-L, ISO 6) doors, and for standard and frame/lintel fixing.
- Spring strength range EN 3–6 to suit virtually every application.

**For the specifier/architect**

- Compact closer design and sturdy flat-form arm assembly.
- Wide range of standard functions supplemented by optional extras.
- Suitable for fire doors.

**For the user**

- Optimum wall and door protection thanks to "thinking" backcheck.
- Closing speed virtually unaffected by temperature fluctuations.
- Proportionately low opening resistance thanks to high mechanical efficiency.

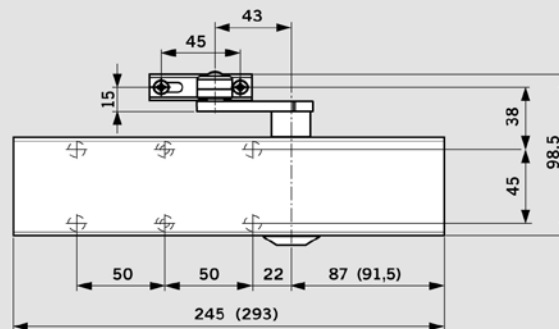
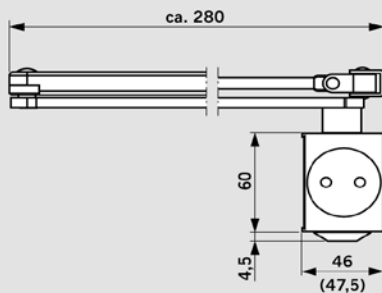
Data and features		TS 83	
		EN 3-6	EN 7
Closing force adjustable	Size		
Standard doors <sup>1)</sup>	≤ 1400 mm	●	–
	≤ 1600 mm	–	●
External doors, outward opening <sup>1)</sup>	≤ 1400 mm	●	–
	≤ 1600 mm	–	●
For fire and smoke check doors <sup>1)</sup>	≤ 1400 mm	●	–
	≤ 1600 mm	–	●
Non-handed		●	●
Arm assembly type	Standard	●	●
	Flatform	●	●
	Slide channel	–	–
Closing force variable by means of adjustment screw		●	–
Closing speed adjustable at 2 separate valves	180° – 15°	●	–
	15° – 0°	●	–
Closing speed variable by means of valve adjustment		–	●
Adjustable latching action	by arm	●	●
Backcheck	self-regulating	●	●
	adjustable at valve	●	●
Delayed action variable at valve		○	–
Hold-open		○	○
Weight in kg		1.7	3.3
Dimensions in mm	Length	245	293
	Overall depth	46	47.5
	Height	60	60
Door closer tested to EN 1154		●	●
CE mark for construction products		●	●

● yes – no ○ optional

<sup>1)</sup> For applications involving particularly heavy or wide doors, and doors which have to close against wind resistance, the next highest closer size or a higher spring strength should be applied.



The TS 83 conforms to most recognised international standards and complies with the requirements and/or recommendations of the following:  
CERTIFIRE approved for fire doors



( ) = EN 7

**SET: #35.2390 Body TS 83 with 5 functions and force 2-5 adjustable; 316 polished stainless steel cover, adjustable arm and parallel bracket.**



### SPECIFICATIONS TS 83 SERIES STANDARD STEEL DOOR ASSECORIES FOR INTERIOR USE NOT SUITABLE FOR MARINE ENVIRONMENT USE

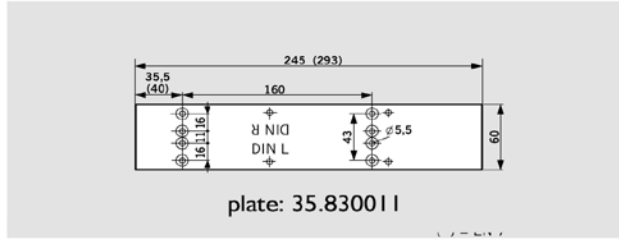
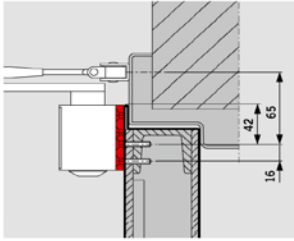


plate: 35.83001 I

**Mounting backplate TS 83**  
For use with fire and smoke check doors and also as an intermediate plate when direct fixing to the door is not possible; with fixing hole pattern to EN 1154, supplement 1.

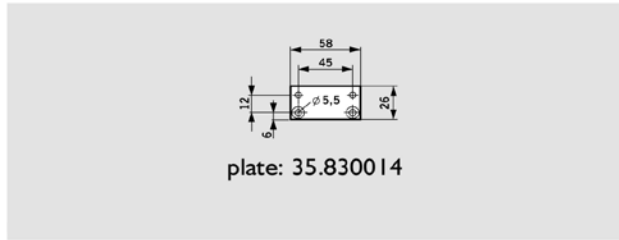
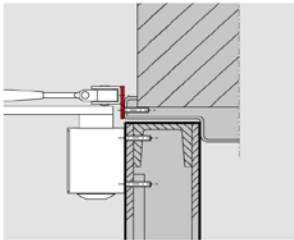
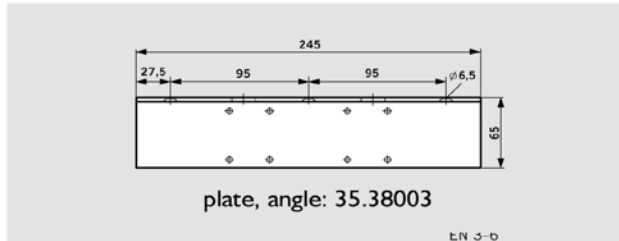
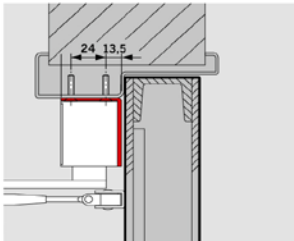


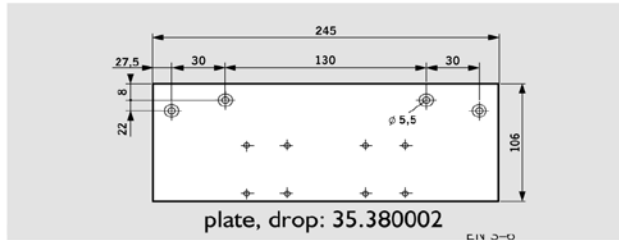
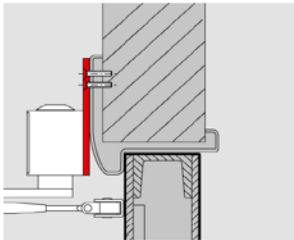
plate: 35.830014

**Hinge plate TS 73 V/TS 83**  
For fixing the arm bracket to particularly narrow door frames.



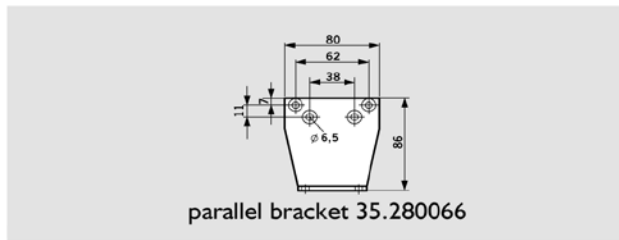
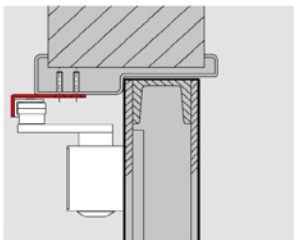
plate, angle: 35.38003

**Angle bracket TS 83**  
For frame/lintel fixing of the closer on the push side of doors with deep reveals.  
**On fire and smoke check doors, proof of suitability required in relation to the individual door concerned.**



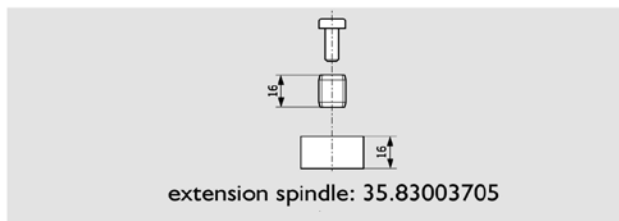
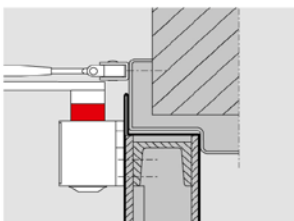
plate, drop: 35.380002

**Drop plate TS 73 V/TS 83**  
For installation on frame when direct fixing of closer is not possible.  
**On fire and smoke check doors, proof of suitability required in relation to the individual door concerned.**



parallel bracket 35.280066

**Parallel arm bracket TS 73 V/TS 83**  
For parallel arm installation on the push side (see fixing instructions for dimensions).  
**On fire and smoke check doors, proof of suitability required in relation to the individual door concerned.**



extension spindle: 35.83003705

**Spindle extension TS 73 V/TS 83**  
For increasing the distance between the closer and the arm assembly in the case of doors with a high overlap; 16 mm high.

Closer body TS 83



6 DORMA

Standard arm



Platform arm



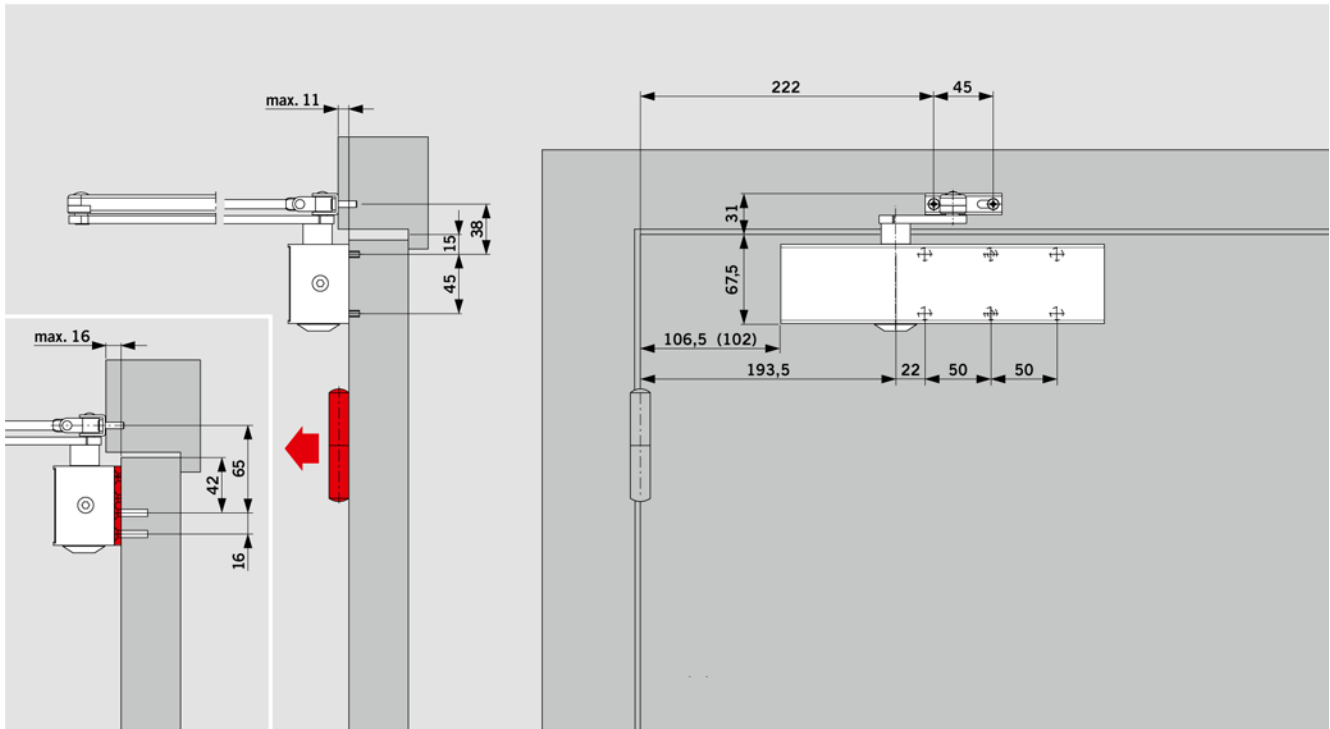
#35.2390C: body force 7 fire rated  
#35.2390B: body force 2-6 adjustable; not fire rated.

#35.220023 arm fire rated

#35.283C arm, stainless steel adjustable

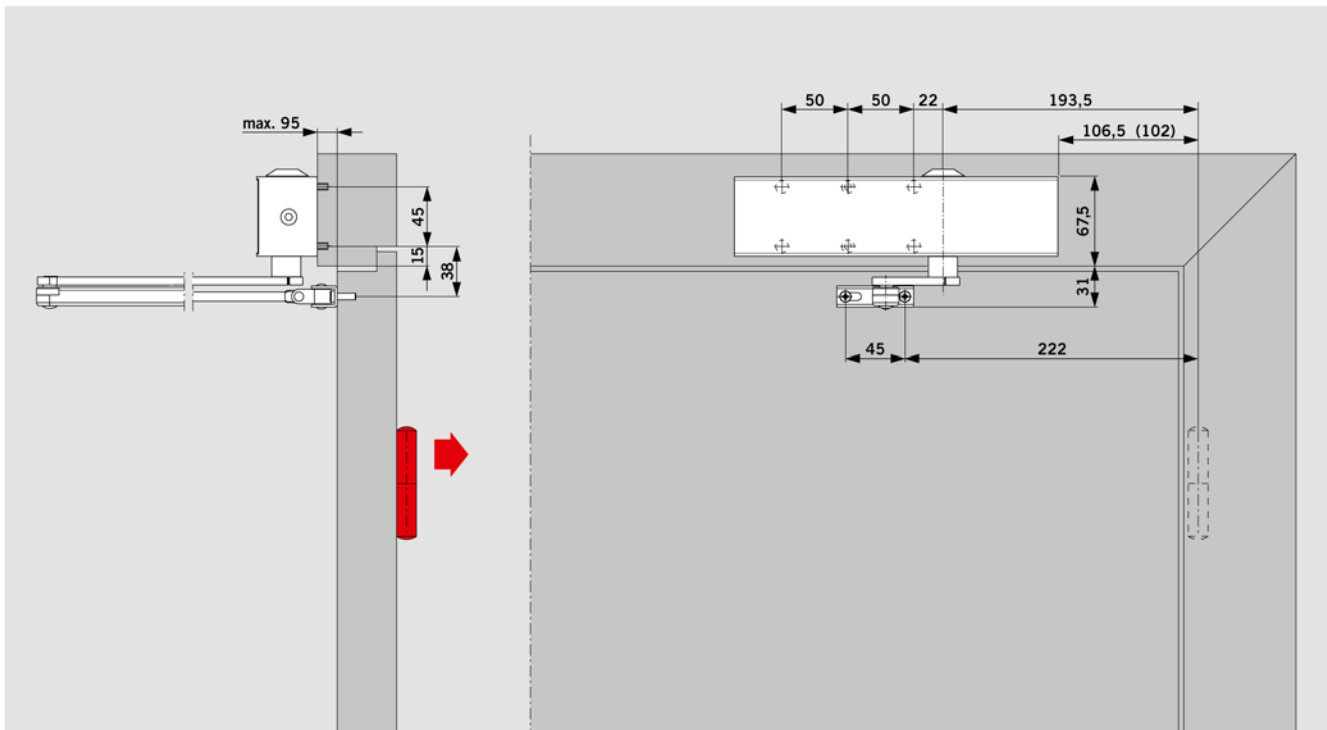


# INSTALLATION DIAGRAM FOR THE TS 83 BODY - FORCE 2-6 WITH PARALLEL BRACKET DOOR LEAF FIXING, PULL SIDE



Example shows LH (ISO 6) door; RH (ISO 5) doors mirrored arrangement

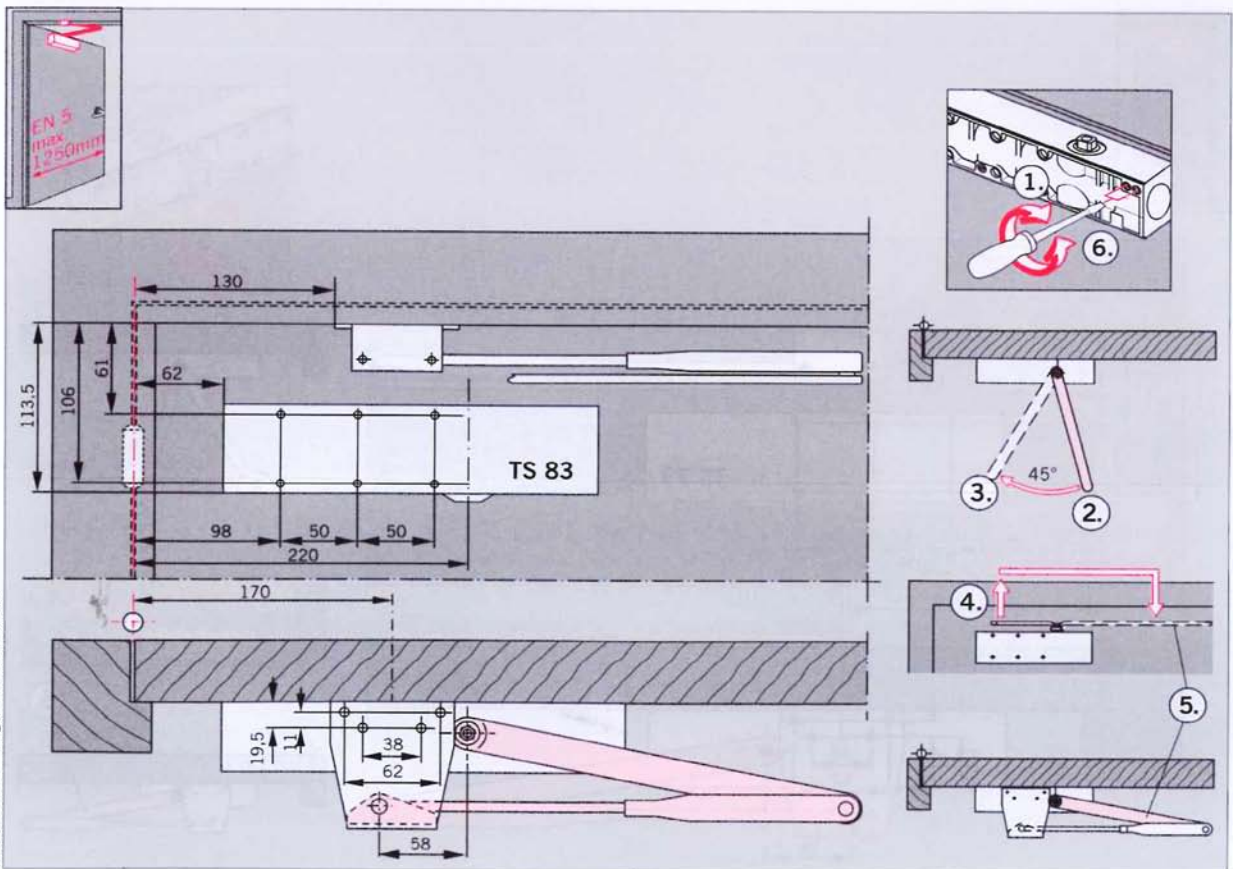
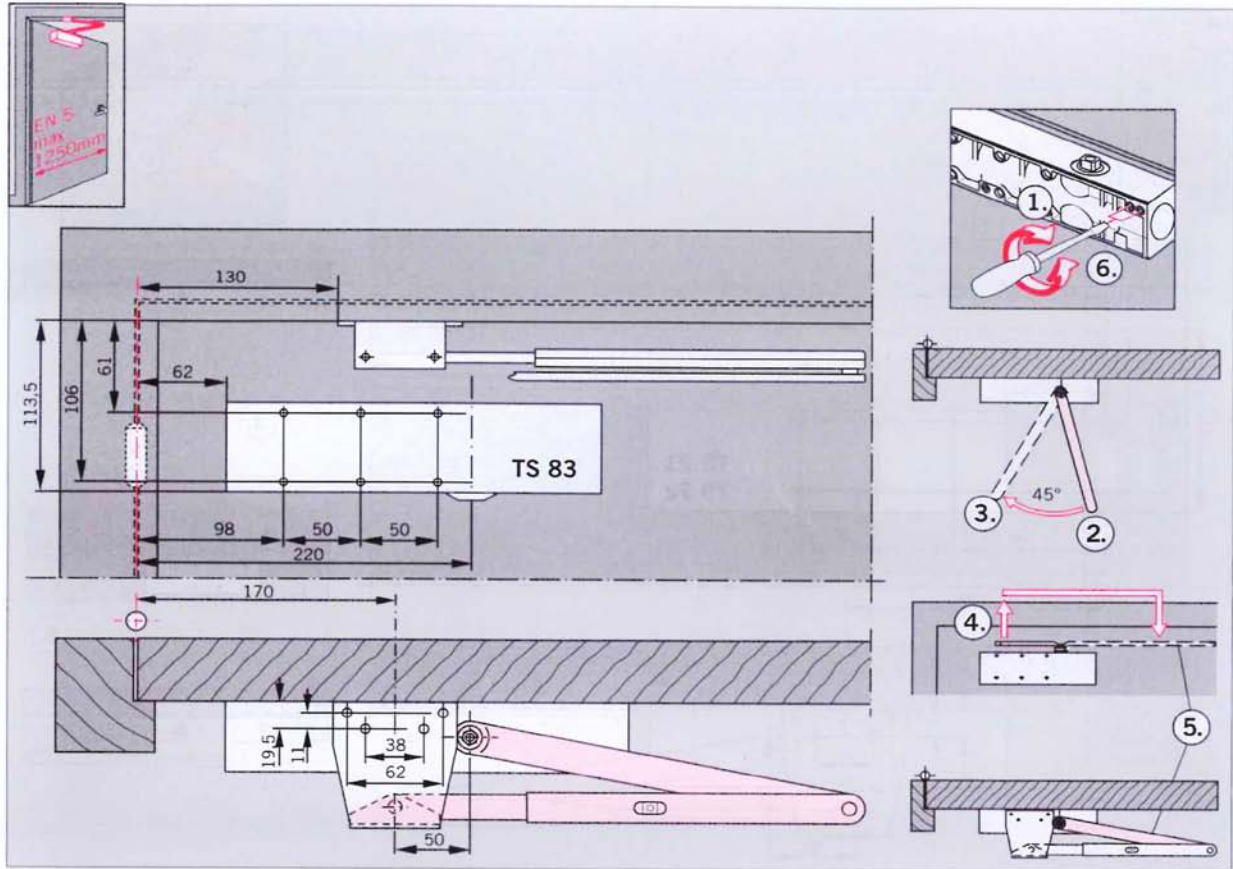
# TRANSOM FIXING, PUSH SIDE



Example shows LH (ISO 6) door; RH (ISO 5) doors mirrored arrangement



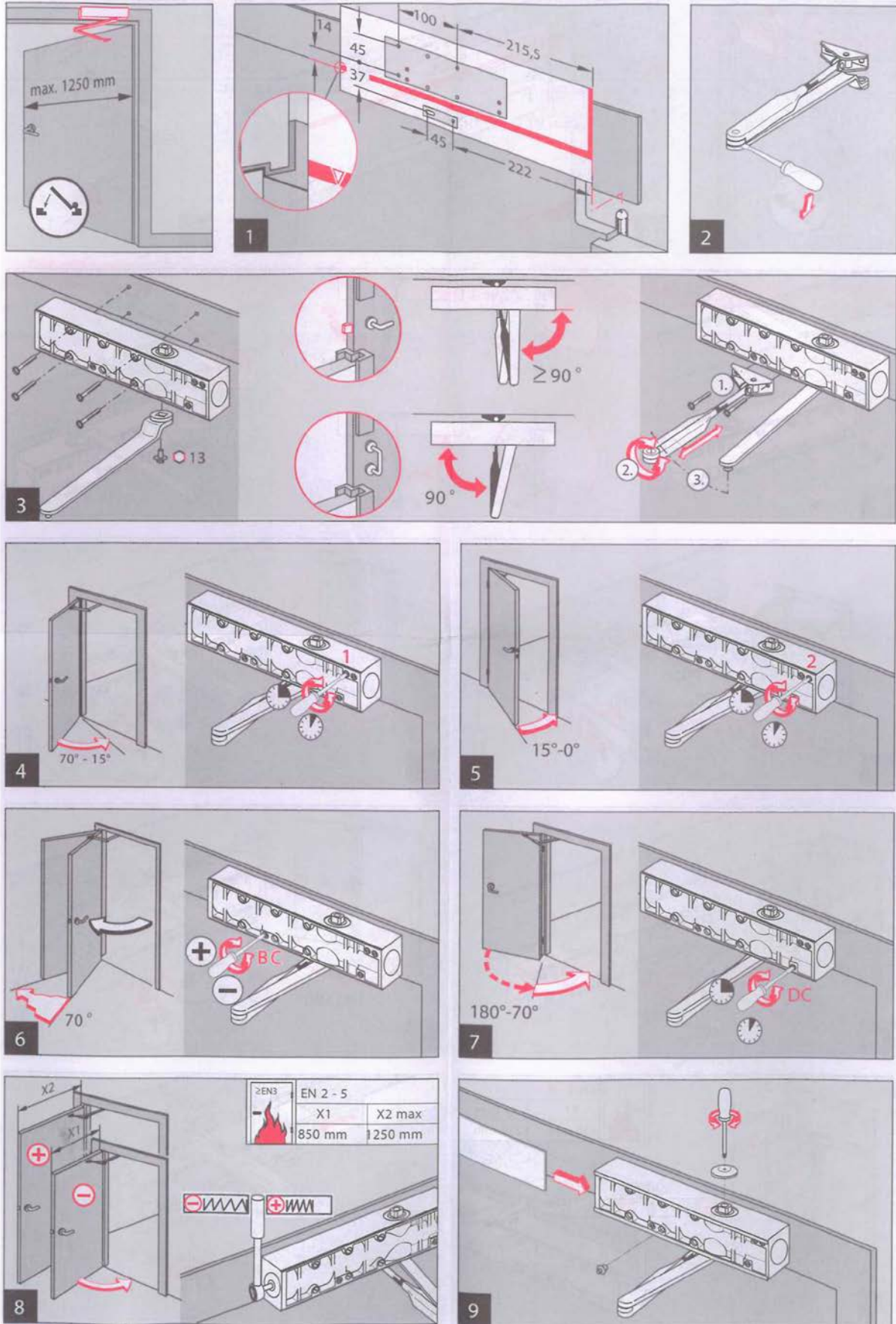
### INSTALLATION DIAGRAM FOR THE TS 83 BODY - FORCE 2-6 WITH PARALLEL BRACKET



Änderungen vorbehalten  
Subject to change without notice

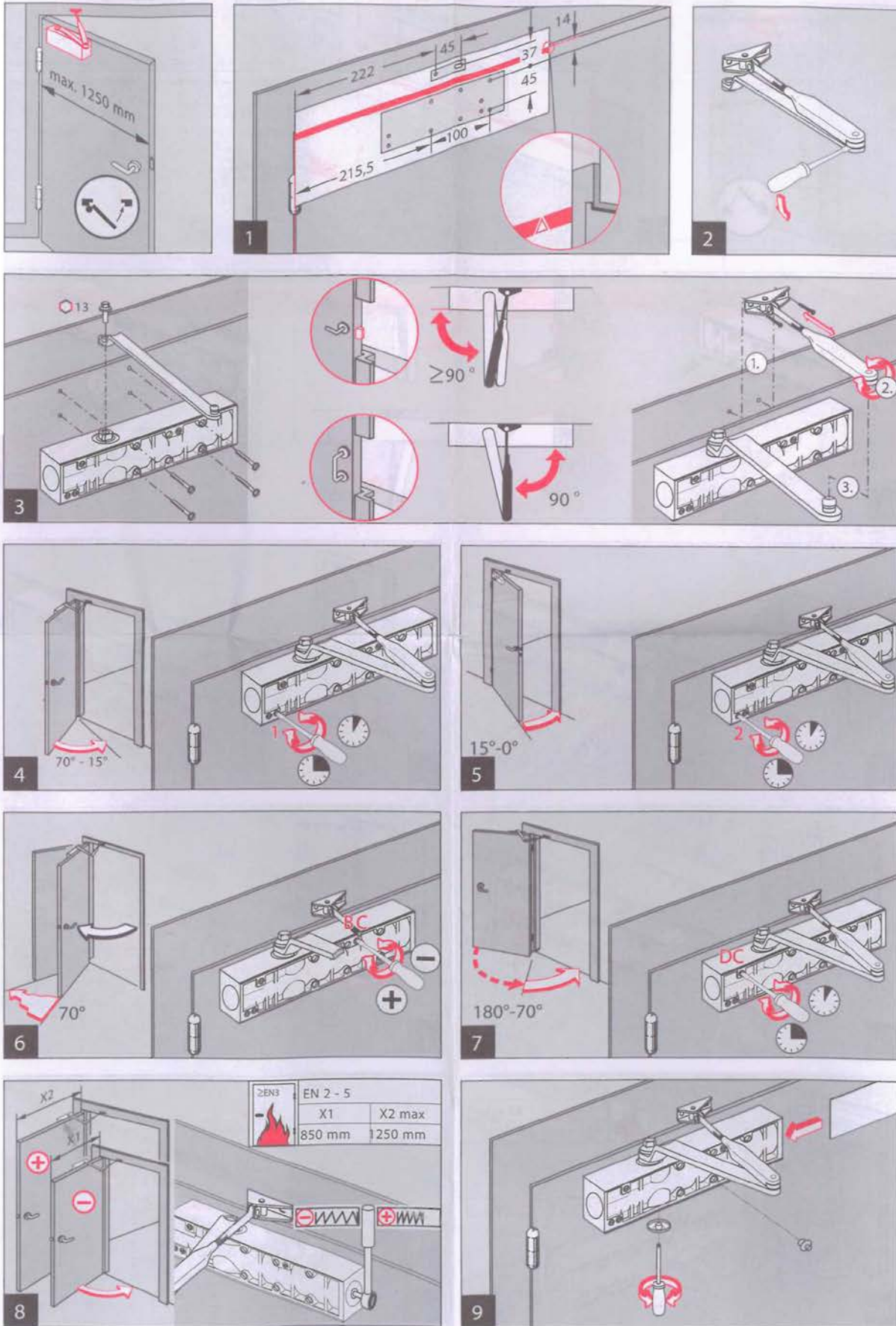


### INSTALLATION DIAGRAM FOR THE TS 83 BODY FORCE 2-6





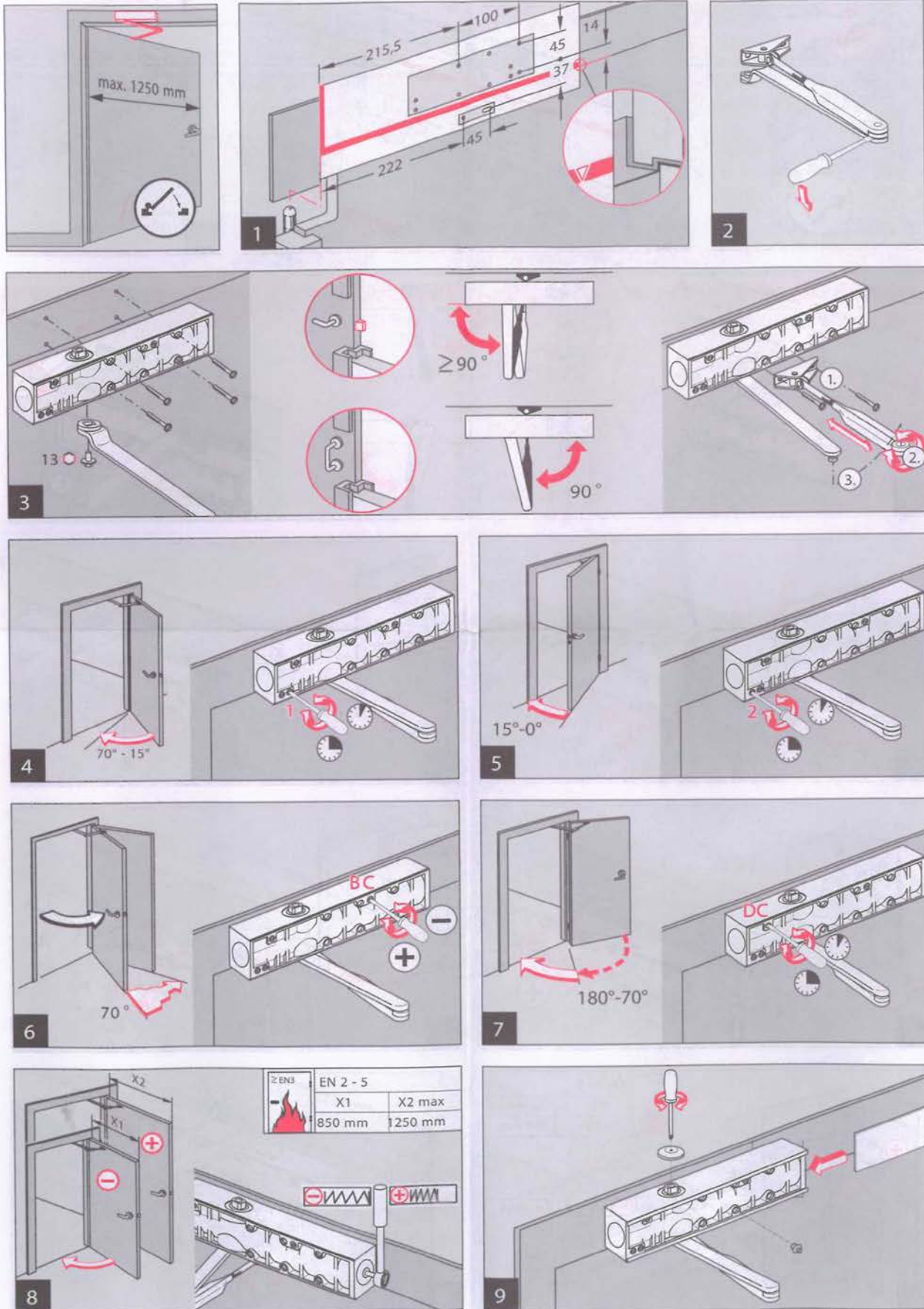
### INSTALLATION DIAGRAM FOR THE TS 83 BODY FORCE 2-6





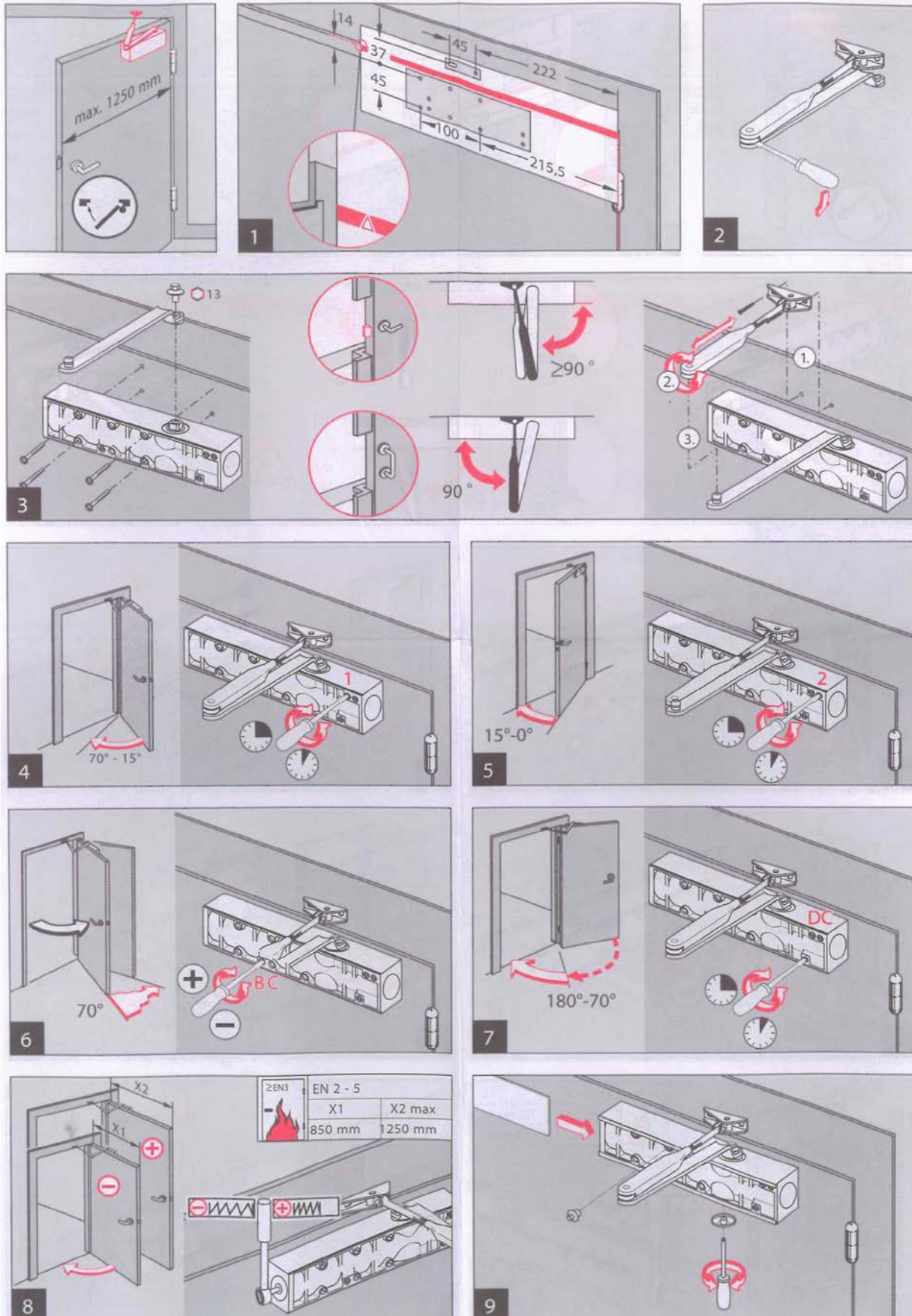


### INSTALLATION DIAGRAM FOR THE TS 83 BODY FORCE 2-6



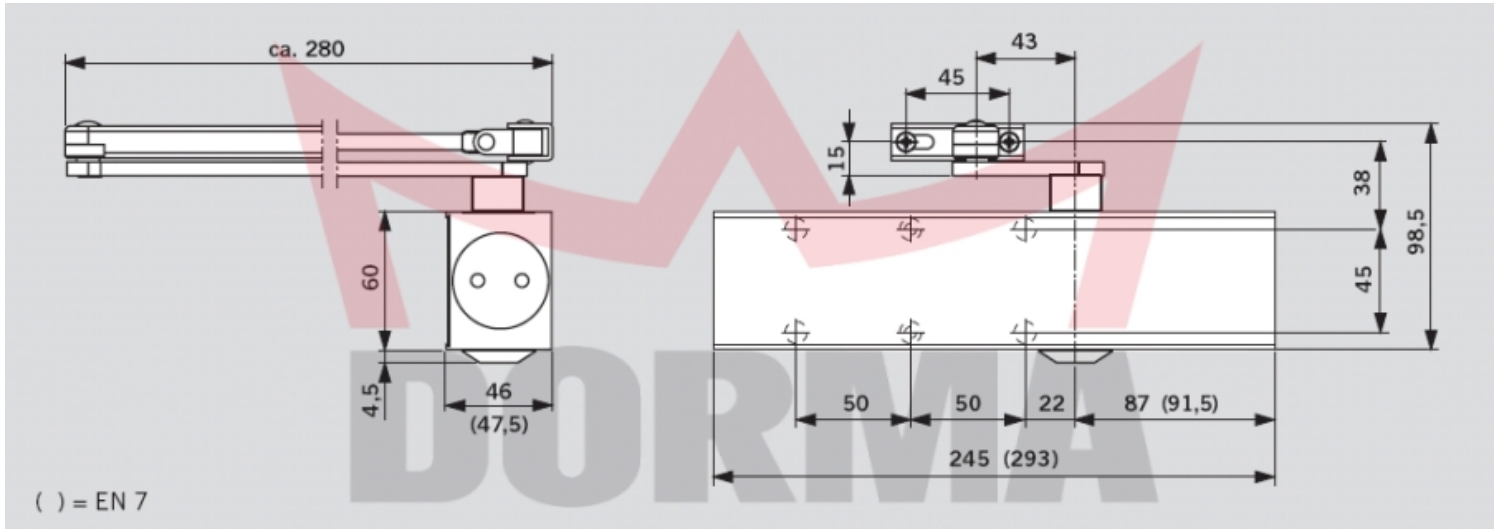


### INSTALLATION DIAGRAM FOR THE TS 83 BODY FORCE 2-6





**DOOR CLOSER FOR FIRE RATED DOORS**



**#35.083H Heavy duty body force EN-7 with steel arm and steel bracket**

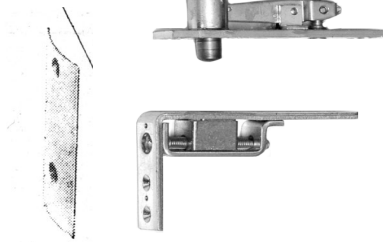
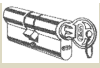
Data and features		TS 83	
Variable closing force	Spring strength	EN 3-6	EN 7
Standard doors <sup>1)</sup>	≤ 1400 mm ≤ 1600 mm	• -	- •
External doors, outward opening <sup>1)</sup>	≤ 1400 mm ≤ 1600 mm	• -	- •
Fire and smoke check doors <sup>1)</sup>	≤ 1400 mm ≤ 1600 mm	• -	- •
Non-handed		•	•
Arm assembly type	Standard	•	•
	Flat-form	•	•
	Slide channel	-	-
Closing force variable by means of adjustment screw		•	-
Closing speed adjustable at 2 separate valves	180° - 15°	•	-
	15° - 0°	•	-
Closing speed variable by means of valve adjustment		-	•
Adjustable latching action	by arm	•	•
Backcheck	self-regulating	•	•
	adjustable at valve	•	•
Delayed action variable at valve		○	-
Hold-open		○	○
Weight in kg		1.7	3.3
Dimensions in mm	Length	245	293
	Overall depth	46	47.5
	Height	60	60
Door closer tested to EN 1154		•	•
CE mark for construction products		•	•

• yes - no ○ option



**#35.083H FOR FIRE RATED DOORS Heavy duty body force EN-7 with silver coated steel arm and steel bracket**

<sup>1)</sup> For applications involving particularly heavy or wide doors, and doors which have to close against wind resistance, the next highest closer size or a higher spring strength should be applied.



Top pivoting bracket; Cover Plate, Plunger and Receiver

- Steel door closer for double swinging doors interior grade
- Bottom Side Cover Plates, 304 stainless steel
- Mechanism steel, zinc plated.
- Finish: Satin stainless steel.

**36.45A: Door closer, swinging 180 degrees 90 degree with stops at 90 degree open either side. For doors up to 100 kg.**

**One Set contains:**

- Top mounting bracket (adjustable, mounts in door jamb)
- Doorcloser mechanism, spring loaded, mounts in bottom of door
- bottom plate, mounts on floor, adjustable
- cover plates, 3x stainless steel for bottom, 2x aluminum for top



Showing: Adjustable mechanism for force with stainless steel cover plate and heel plate; Stops at 90 degree either side, spring loaded. Mortises in the bottom of the door

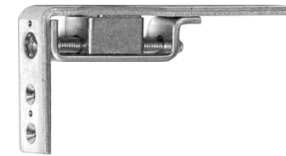


Top pivoting pin: Plate: 140 mm x 25 mm

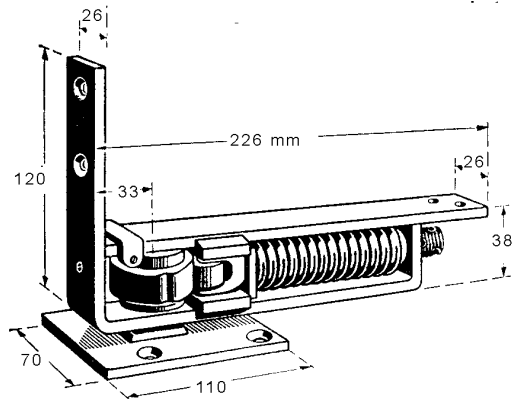
Showing pivot hinge pin mounted in head jamb

Bracket: Top: 140 x 25 mm; Side: 75 x 25 mm

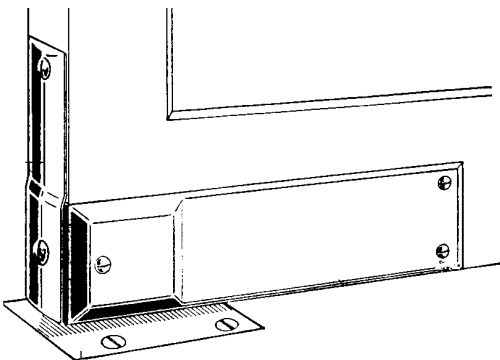
Showing adjustment screws bracket mounted in door.



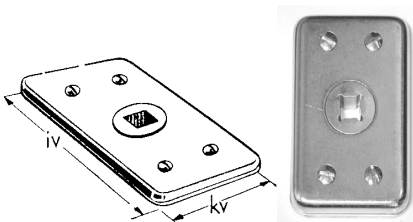
Bottom hinge mechanism, to be mortised in bottom of door



Showing: Pivoting mechanism with sizes in mm. Adjustable force; stops at 90 degree either side, Spring loaded. Mortises in the bottom of the door. With bottom plate



Showing: Side Cover Plates stainless steel, heel plate aluminum  
Bottom plate cast aluminum  
Finish cover plates: Satin or polished



Sideways adjustable bottom plate included. Allows for aligning door with frame